



GHS 50Hz
单级单吸卧式离心泵

GHS single-stage single-suction horizontal centrifugal pump

GHS 单级单吸卧式离心泵

GHS single-stage single-suction horizontal centrifugal pump



特点 Features

- GHS系列单级单吸离心泵依据EN733(DIN24255)标准设计。
- GHS结构简单,性能可靠,体积小,重量轻,抗汽蚀性能好,电耗低,使用维修方便。
- GHS为后开式,拆开泵盖和叶轮时不需拆卸吸水和排出管路,维修方便。
- 零件通用性广,全系列46种型号,只采用六种轴,零件通用,互换性好。
- 规格相同的泵因改变叶轮外径(切割叶轮)而有不同的性能(在泵型号上加上ABC表示)。
- 从驱动端看,泵为顺时针方向旋转。

- The GHS series single-stage single-suction horizontal centrifugal pump is designed in accordance with EN733(DIN 24255).
- The GHS has simple structure, reliable performance, small volume, light weight, good pitting resistance, low power consumption and easy operation and maintenance.
- The GHS is of the rear-open type. The suction and discharge pipes needn't be taken down for pump cover and impeller disassembly.
- The GHS parts are universally replaceable. The whole series have 46 models that only adopt six types of shaft. All parts may be universally exchanged.
- The pumps of the same specifications may have different performances(indicated with ABC on pump models) if changed in impeller outer diameters(cutting impeller).
- The pump rotates in the clockwise direction if viewed from the driven end.

用途 Application

GHS系列单级单吸卧式离心泵适用于输送清水或物理化学性质类似于水的液体,工厂、矿山、城市给排水、空调、消防和农田排灌等。

The GHS series single-stage single-suction horizontal centrifugal pump is used to convey clean water and the liquid with chemical and physical properties similar to water. It may be applied in water supply and drainage for factories, mines and cities, air conditioning, fire fighting and agricultural irrigation .

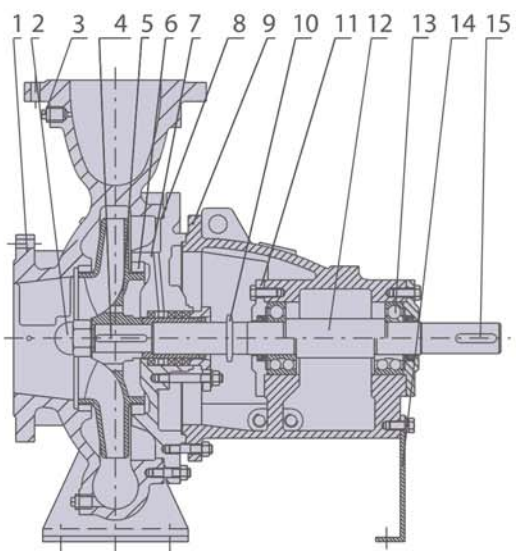
主要零件介绍

- 泵壳：底脚支承结构，螺旋形涡壳。涡室、底脚、进水法兰和出口法兰铸成一个整体，法兰可按工制或美制钻孔。
- 叶轮：闭式叶轮，采用优秀水力模型设计，保证泵的性能与效率，并进行动平衡试验。
- 悬架（轴承部件）：悬架内装有轴承，全系列共有6种轴规格，轴承用润滑脂（油）润滑。
- 轴封：使用机械密封结构，可选用国产及进口优质机封。
- 电机：选用优质高效节能电机，噪音低，振动小，也可根据需要配用防爆或特殊要求电机，泵通过弹性联轴器由电机直接驱动。

工作条件

- 出口口径：DN32~300mm。
- 流量范围：4.5~1660 m³/h。
- 扬程范围：5.2~150m。
- 转速：1450 r/min和2900 r/min(50Hz电源)。
- 输送介质温度：-10°C~85°C（超过温度范围，请向我司咨询）。
- 工作压力：一般为1.6MPa，如需提高（最高可承受2.5 MPa），请在订货时说明。

结构简图 Construction



The instruction of main parts

- Pump case: Foot support structure and spiral volute chamber, with volute chamber, foot, influent flange and discharge flange cast into an integrity. The flanges may be drilled accordance with the metric or U.S. system.
- Impeller: Closed impeller designed in the excellent hydraulic model to guarantee pump performance and efficiency. The dynamic balance test shall be conducted.
- Suspension(bearing part): The suspension fork is installed with bearing inside. There are totally 6 bearing specifications for the whole series. The bearings shall be lubricated by lubricating oil or grease.
- Shaft seal: Using mechanical seal. Domestic and imported high-quality mechanical seal may also be adopted.
- Electrical motor: High-quality motor with low noise and small vibration. explosion-proof motor or other motors with special requirements may be adopted if necessary. The pump is driven directly by electrical motor with elastic coupling.

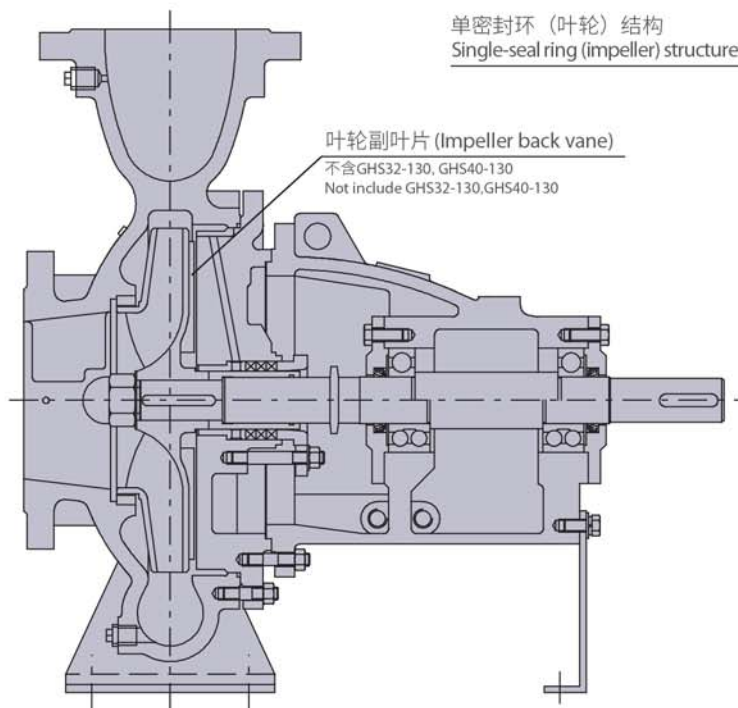
Working condition

- Outlet : DN32~300 mm.
- Capacity: 4.5~1660 m³/h.
- Head: 5.2~150m.
- Rotation Speed: 1450 r/min and 2900 r/min(50Hz power supply).
- Conveyance medium temperature: - 10°C~85°C(consult us if the temperature is beyond the above scope).
- Working pressure: 1.6MPa is standard,available for up to max working pressure 2.5MPa(please specify in your order).

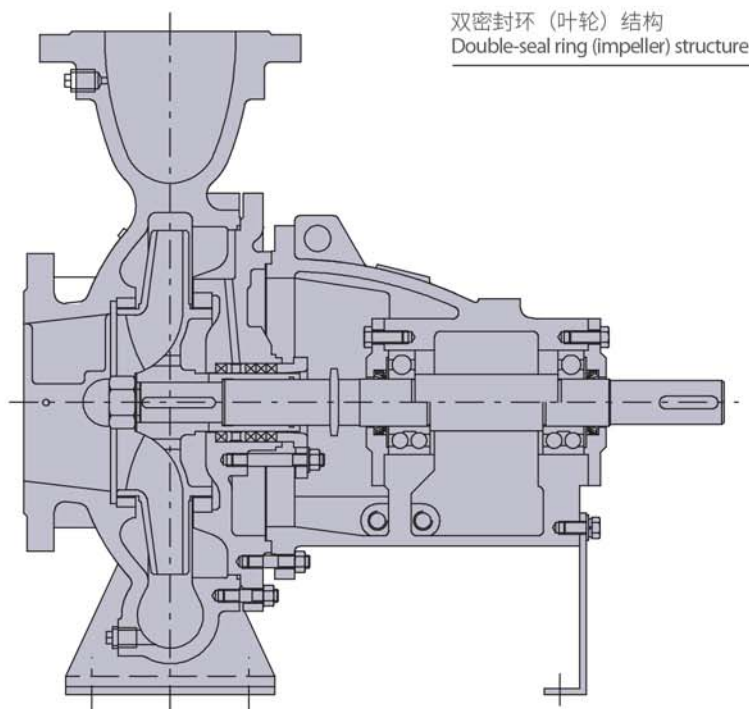
NO.	名称	Name	材质	Material
1	泵体	Pump body	标配 HT250 选配 QT400,QT450, ZG07Cr19Ni10,ZG35,ZQA19-4	
2	盖形螺母	Cap nut	HT250	
3	丝堵	Pipe plug	HT250	
4	叶轮平键	Impeller flat key	45	
5	叶轮	Impeller	标配 HT250 选配 QT400,QT450,ZG35,ZQSn5-5-5, ZG07Cr19Ni10,ZQA19-4	
6	密封环	Seal ring		
7	泵盖	Pump cover	HT250	
8	泵体O型圈	Pump body O-ring		
9	悬架	Suspension	HT250	
10	挡水圈	Water deflector	NBR	
11	轴盖	Shaft cap	HT250	
12	轴	Shaft	标配 20Cr13 选配 45,ZG35,1Cr17Ni2	
13	轴承	Bearing		
14	悬架支撑	Suspension support	HT250	
15	泵联轴器键	Pump connection flat key	45	



密封环结构 Seal ring structure



泵规格 Pump specifications
GHS 32-130
GHS 40-130
GHS 50-130
GHS 65-130
GHS 32-160
GHS 40-160
GHS 50-160
GHS 65-160
GHS 80-160
GHS 32-200
GHS 40-200
GHS 50-200
GHS 65-200
GHS 80-200
GHS 100-200
GHS 125-200
GHS 32-260
GHS 40-260
GHS 50-260
GHS 65-260
GHS 80-260
GHS100-260
GHS125-260



泵规格 Pump specifications
GHS150-200
GHS150-260
GHS200-260
GHS 40-320
GHS 50-320
GHS 65-320
GHS 80-320
GHS100-320
GHS125-320
GHS150-320
GHS200-320
GHS250-320
GHS 80-400
GHS100-400
GHS125-400
GHS150-400
GHS200-400
GHS250-400
GHS300-400
GHS125-500
GHS150-500
GHS200-500
GHS250-500

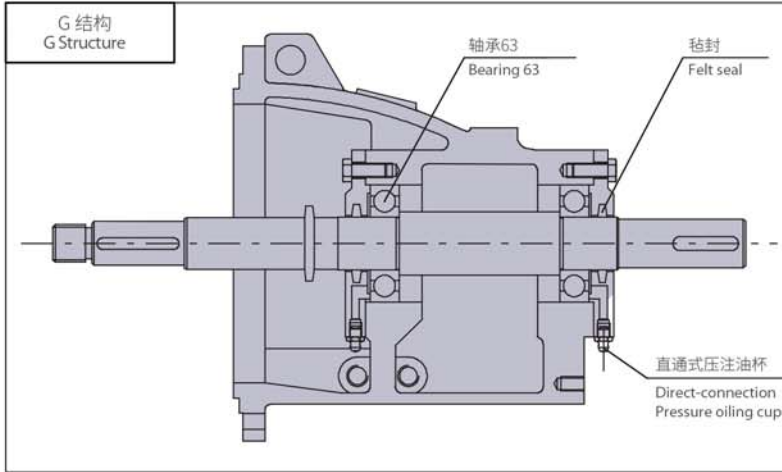
单密封环结构: 叶轮进水面设有密封环, 背面设有副叶片, 依靠副叶片平衡轴向力

双密封环结构: 叶轮进水面设有密封环, 背面设有密封环, 平衡孔, 依靠平衡孔平衡轴向力

Single-seal ring structure: the influent side of impeller is set with seal ring, and the back is set with back vane for balancing axial thrust

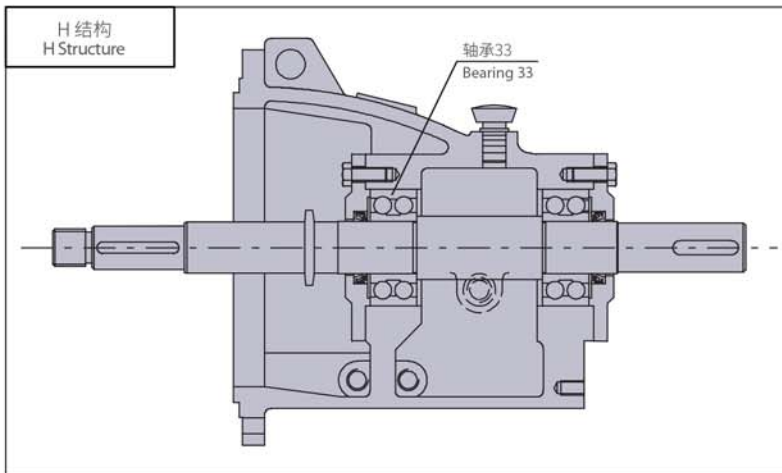
Double-seal ring structure: the influent side of impeller is set with seal ring, and the back is set with seal ring and balance hole for balancing axial thrust

轴承结构及润滑方式 Bearing structure and lubrication mode



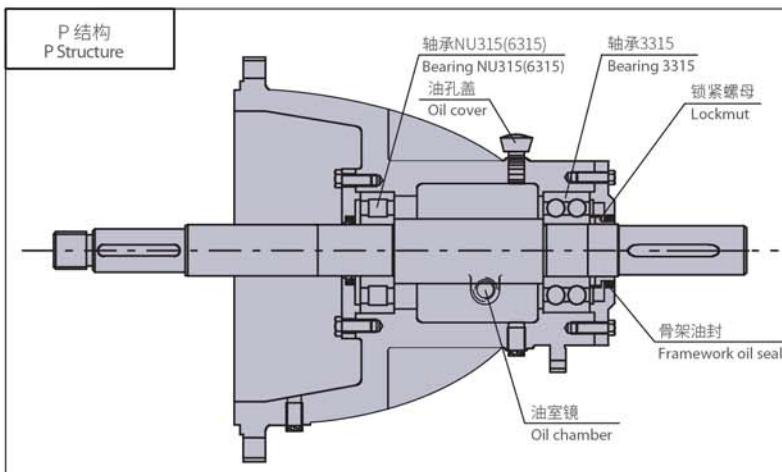
G结构:
脂润滑结构, 适用所有除H结构和P结构的机型(标准配置)。

G structure:
Grease lubrication structure, suitable for all pump models, except H & P structures (Standard).



H结构:
油润滑结构,
单指GHS65-320/2P;
GHS80-320/2P;
GHS100-260/2P三种机型。

H structure:
Oil lubrication structure,
Only suitable for pump models of
GHS40-320/2P, GHS50-320/2P, GHS65-320/2P,
GHS80-160/2P and GHS80-320/2P.

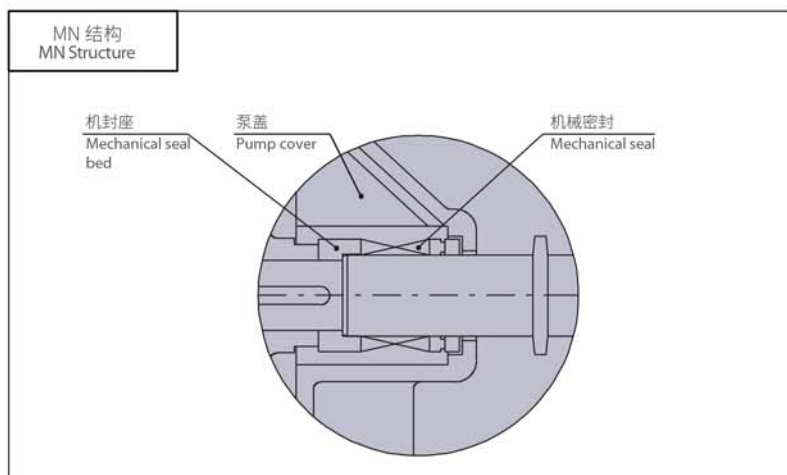


P结构:
油(脂)润滑结构,
单指GHS300-320; GHS300-400;
GHS250-500 三种机型。

P structure:
Oil(Grease) lubrication structure,
Only suitable for pump models of
GHS300-320, GHS300-400, GHS250-500.



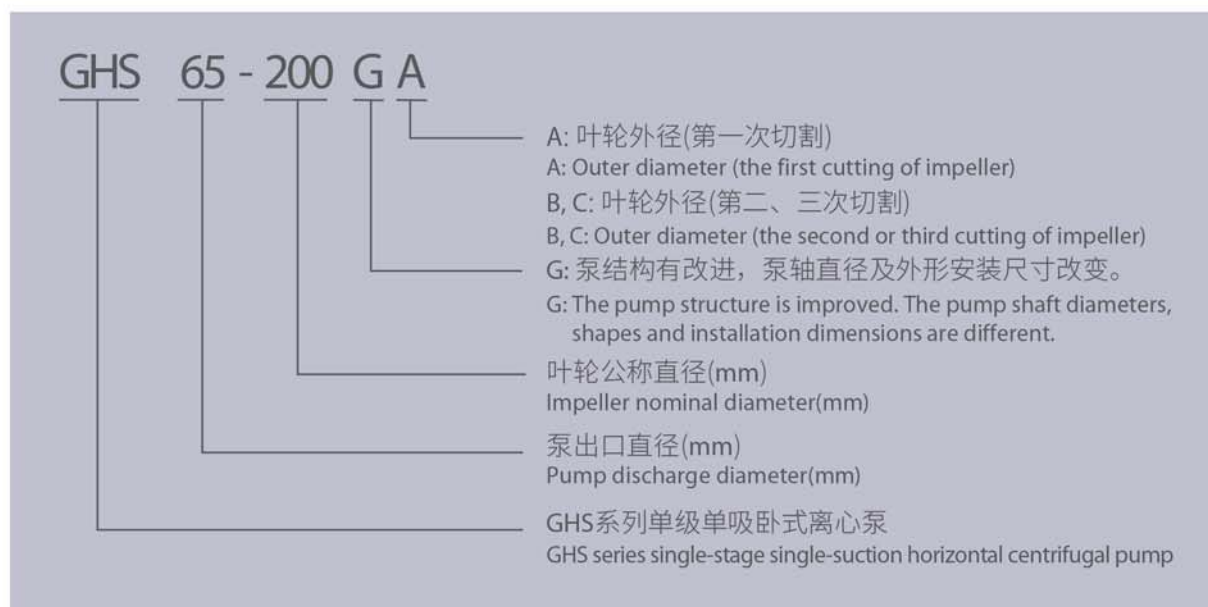
机封结构 Seal structure



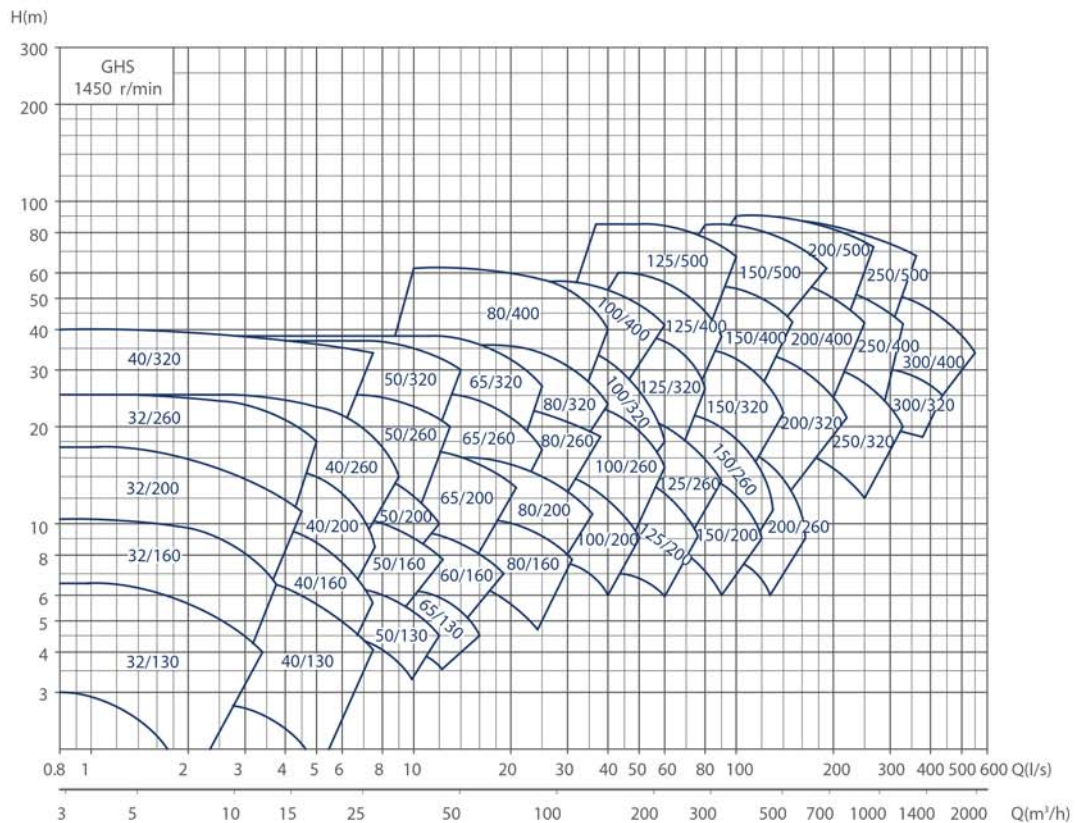
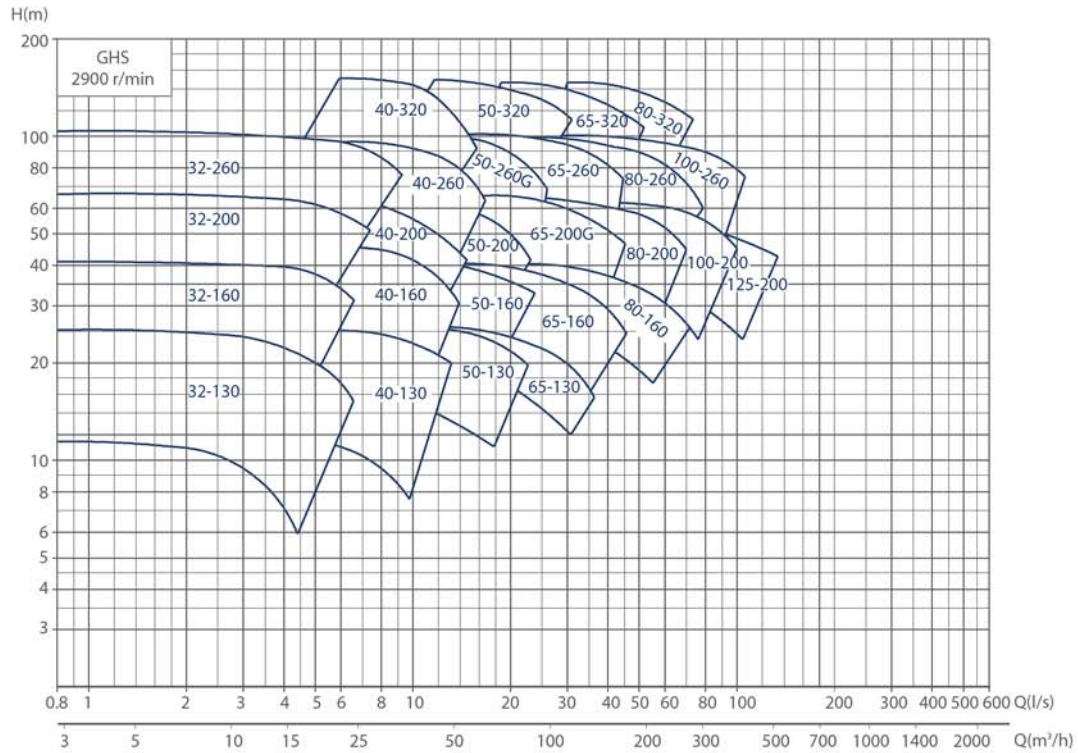
MN结构：
内装式非平衡式机械密封结构。

MN structure:
Inside-fitted non-equilibrium mechanical seal structure.

型号说明 Type description



性能曲线 Performance curves



性能参数 Performance parameters

(2P)

泵型号 Pump model	流量 Capacity		扬程 Head h (m)	转速 Speed n (r/min)	功率 Power		效率 Eff. η (%)	必需汽 蚀余量 NPSHr (m)	泵口径 Pump diameter (mm)		泵重量 Weight (kg)
	m ³ /h	l/s			轴功率 Shaft power (kW)	电机 Motor (kW)			吸入 Suction	排出 Discharge	
GHS32-130	9	2.5	24.9	2900	1.23	2.2	44	1.8	50	32	27.5
	15	4.2	23		1.47	2.2	55	2.0			
	18	5.0	21		1.58	2.2	56	2.5			
GHS32-130A	8.5	2.4	21.2	2900	1.04	2.2	43.5	1.8	50	32	27.5
	14	3.9	19		1.23	2.2	54	1.95			
	17	4.7	17.3		1.32	2.2	53	2.3			
GHS32-130B	7.8	2.2	17.3	2900	0.89	1.5	42	1.8	50	32	27.5
	13	3.6	15.3		1.02	1.5	51	1.88			
	15.5	4.3	13.8		1.07	1.5	52	2.08			
GHS32-160	10.8	3.0	40	2900	2.50	5.5	47	1.2	50	32	35
	18	5.0	38.5		3.23	5.5	58.5	2			
	21.6	6.0	36		3.59	5.5	59	2.6			
GHS32-160A	10.5	2.9	35.7	2900	2.22	4	46	1.9	50	32	35
	17	4.7	33		2.78	4	55	1.95			
	21	5.8	30		3.06	4	56	2.4			
GHS32-160B	9.8	2.7	32.4	2900	1.97	4	44	1.9	50	32	35
	16	4.4	29.5		2.43	4	53	1.95			
	19.5	5.4	27		2.66	4	54	2.2			
GHS32-200	10.8	3.0	66	2900	4.51	11	43	1.3	50	32	41
	18	5.0	61.5		5.74	11	52.5	1.9			
	21.6	6.0	57		6.27	11	53.5	2.3			
GHS32-200A	10.2	2.8	58.2	2900	4.04	7.5	40	1.8	50	32	41
	17	4.7	55.8		4.87	7.5	53	1.95			
	20.4	5.7	52.2		5.47	7.5	53	2.2			
GHS32-200B	9.9	2.8	51.5	2900	3.65	7.5	38	1.8	50	32	41
	16.5	4.6	48		4.40	7.5	49	1.9			
	19.8	5.5	45		4.97	7.5	48.8	2.15			
GHS32-260	13.2	3.7	102	2900	11.21	18.5	32.7	1.8	50	32	59
	22	6.1	96		14.10	18.5	40.8	2.7			
	26.4	7.3	89		15.61	18.5	41	3.3			
GHS32-260A	12.6	3.5	92.5	2900	10.11	15	31.4	2.1	50	32	59
	21	5.8	88		12.58	15	40	2.2			
	25.2	7.0	83		13.89	15	41	2.5			
GHS32-260B	12.3	3.4	84.5	2900	9.43	15	30	2.15	50	32	59
	20.5	5.7	81		11.75	15	38.5	2.16			
	24.6	6.8	77		12.90	15	40	2.38			
GHS40-130	18	5.0	26	2900	2.09	4	61	1.8	65	40	30
	30	8.3	24.5		2.65	4	75.5	2.0			
	36	10.0	23		2.91	4	77.5	2.4			
GHS40-130A	16.8	4.7	22.5	2900	1.74	4	59	1.8	65	40	30
	28	7.8	21		2.29	4	70	2			
	33.6	9.3	20		2.54	4	72	2.25			
GHS40-130B	15.5	4.3	18.5	2900	1.47	3	53	1.8	65	40	30
	26	7.2	17.5		1.91	3	65	1.9			
	31	8.6	16.5		2.14	3	65	2.15			
GHS40-160	18	5.0	41	2900	3.72	7.5	54	2.1	65	40	36
	30	8.3	38.5		4.91	7.5	64	2.5			
	36	10.0	35.5		5.40	7.5	64.5	3.6			
GHS40-160A	17	4.7	36	2900	3.21	5.5	52	2.1	65	40	36
	28.5	7.9	33.5		4.00	5.5	65	2.5			
	34	9.4	31		4.63	5.5	62	3.25			
GHS40-160B	16	4.4	31.5	2900	2.86	4	48	2.05	65	40	36
	26.5	7.4	29		3.52	4	62	2.4			
	32	8.9	25.5		3.77	4	59	2.9			
GHS40-200	18	5.0	64	2900	6.54	11	48	1.85	65	40	44
	30	8.3	61		8.38	11	59.5	2.0			
	36	10.0	58.6		9.27	11	62	2.7			
GHS40-200A	17	4.7	58.5	2900	5.58	11	48.5	1.8	65	40	44
	29	8.1	56		7.25	11	61	1.95			
	34.5	9.6	53.5		7.98	11	63	2.45			
GHS40-200B	16.5	4.6	52.5	2900	5.13	11	46	1.8	65	40	44
	27.5	7.6	49		6.22	11	59	1.9			
	33	9.2	47		6.92	11	61	2.2			
GHS40-260	21.6	6.0	98.5	2900	12.88	22	45	1.8	65	40	61
	36	10.0	95.5		16.72	22	56	2.0			
	43.2	12.0	91		18.15	22	59	2.5			
GHS40-260A	19.5	5.4	89	2900	11.25	18.5	42	1.8	65	40	61
	32	8.9	87		14.31	18.5	53	1.95			
	38.5	10.7	84		16.01	18.5	55	2.35			



性能参数 Performance parameters

(2P)

泵型号 Pump model	流量 Capacity		扬程 Head h (m)	转速 Speed n (r/min)	功率 Power		效率 Eff. η (%)	必需汽 蚀余量 NPSHr (m)	泵口径 Pump diameter (mm)		泵重量 Weight (kg)
	m ³ /h	l/s			轴功率 Shaft power (kW)	电机 Motor (kW)			吸入 Suction	排出 Discharge	
GHS40-260B	18.5	5.1	80	2900	10.08	18.5	40	1.8	65	40	61
	30.5	8.5	78		12.22	18.5	53	1.9			
	37	10.3	76		14.18	18.5	54	2.2			
GHS40-320	21.6	6.0	150	2900	25.95	37	34	2	65	40	95.8
	36	10.0	139		30.97	37	44	2.8			
	43.2	12.0	127		33.20	37	45	3.8			
GHS40-320A	19.44	5.4	124	2900	19.31	30	34	1.9	65	40	95.8
	32.4	9.0	115		23.60	30	43	2.9			
	38.88	10.8	107		25.75	30	44	3.8			
GHS40-320B	17.28	4.8	109	2900	16.03	22	32	1.7	65	40	95.8
	28.8	8.0	102		19.51	22	41	2.6			
	34.56	9.6	95		21.29	22	42	3.2			
GHS50-130	36	10.0	26	2900	3.78	7.5	67.5	2.5	65	50	34
	60	16.7	23.5		5.05	7.5	76	3.2			
	72	20.0	21.5		5.66	7.5	74.5	4			
GHS50-130A	33.5	9.3	21.5	2900	3.04	5.5	64.5	2.5	65	50	34
	56	15.6	18.5		4.00	5.5	70.5	3.1			
	67.5	18.8	15.5		4.35	5.5	65.5	3.6			
GHS50-130B	31	8.6	18.5	2900	2.56	5.5	61	2.5	65	50	34
	52	14.4	16.5		3.34	5.5	70	2.9			
	62	17.2	15		3.67	5.5	69	3.3			
GHS50-160	40	11.1	42.5	2900	6.76	11	68.5	2.5	65	50	38
	65	18.1	39		9.08	11	76	3.5			
	78	21.7	35.5		10.26	11	73.5	4.2			
GHS50-160A	38	10.6	38	2900	5.62	11	70	2.5	65	50	38
	61.5	17.1	34.5		7.60	11	76	3.3			
	74	20.6	30		8.17	11	74	3.9			
GHS50-160B	35.5	9.9	34	2900	4.63	11	71	2.35	65	50	38
	58	16.1	30.5		6.42	11	75	3.1			
	69.5	19.3	28		7.26	11	73	3.7			
GHS50-200	36	10.0	61	2900	9.34	18.5	64	1.9	65	50	46
	60	16.7	55		12.84	18.5	70	3.2			
	72	20.0	51		14.39	18.5	69.5	4.1			
GHS50-200A	34.5	9.6	57	2900	8.93	15	60	2.5	65	50	46
	57.5	16.0	53		11.53	15	72	3.1			
	69	19.2	50.5		13	15	73	3.75			
GHS50-200B	33	9.2	49.5	2900	7.18	15	62	2.5	65	50	46
	54.5	15.1	43		9.39	15	68	3.0			
	65.5	18.2	38		10.27	15	66	3.5			
GHS50-260	40	11.1	103	2900	20.78	37	54	2.5	65	50	63
	65	18.1	97.5		27.18	37	63.5	3.5			
	78	21.7	91		30.68	37	63	4.2			
GHS50-260A	38.5	10.7	91.5	2900	19.19	30	50	2.4	65	50	63
	63	17.5	85.5		24.45	30	60	3.3			
	75.5	21.0	80		26.75	30	61.5	3.9			
GHS50-260B	37	10.3	84	2900	16.93	30	50	2.3	65	50	63
	60.5	16.8	77		21.14	30	60	3.2			
	72.5	20.1	71		24.17	30	58	3.9			
GHS50-320	54	15.0	146	2900	40.51	75	53	3.5	65	50	101
	90	25.0	137		55.05	75	61	7.0			
	108	30.0	130		61.67	75	62	8.0			
GHS50-320A	48.6	13.5	130	2900	34.41	75	50	3.3	65	50	101
	81	22.5	124		45.59	75	60	6.5			
	97.2	27.0	117		50.77	75	61	7.5			
GHS50-320B	46.8	13.0	105	2900	25.74	45	52	2.5	65	50	101
	78.12	21.7	98		35.04	45	59.5	5.0			
	93.6	26.0	91		39.32	45	59	6.5			
GHS65-130	60	16.7	25.5	2900	6.27	11	69	3.0	80	65	39
	100	27.8	21		8.17	11	70	3.5			
	120	33.3	16		8.86	11	59	4.5			
GHS65-130A	56	15.6	21.8	2900	5.11	11	65	3	80	65	39
	93.5	26.0	17.5		6.37	11	70	3.5			
	112.5	31.3	13		6.99	11	57	4.1			
GHS65-130B	52	14.4	18	2900	4.08	7.5	62.5	3	80	65	39
	86.5	24.0	13.7		4.89	7.5	66	3.3			
	104	28.9	10.6		5.27	7.5	57	3.75			
GHS65-160	64.8	18.0	39	2900	9.97	18.5	69	3.6	80	65	43
	108	30.0	33.5		12.71	18.5	77.5	4.2			
	129.6	36.0	29		14.22	18.5	72	5.2			



性能参数 Performance parameters

(2P)

泵型号 Pump model	流量 Capacity		扬程 Head h (m)	转速 Speed n (r/min)	功率 Power		效率 Eff. η (%)	必需汽 蚀余量 NPSHr (m)	泵口径 Pump diameter (mm)		泵重量 Weight (kg)	
	m ³ /h	l/s			轴功率 Shaft power (kW)	电机 Motor (kW)			吸入 Suction	排出 Discharge		
GHS65-160A	57	15.8	34	2900	8.38	15	63	3.6	80	65	43	
	95	26.4	30.5		10.66	15	74					4.1
	114	31.7	27		11.81	15	71					4.8
GHS65-160B	53.5	14.9	30	2900	7.28	11	60	3.6	80	65	43	
	89	24.7	25.5		8.83	11	70					3.95
	107	29.7	22.5		9.50	11	69					4.5
GHS65-200G	66	18.3	64	2900	17.7	30	65	3.0	80	65	70	
	110	30.6	59		23.72	30	74.5					3.9
	132	36.7	54.5		26.66	30	73.5					5.3
GHS65-200GA	63	17.5	60	2900	16.08	30	64	3.0	80	65	70	
	105.5	29.3	55.5		21.55	30	74					3.9
	126.5	35.1	52		24.37	30	73.5					5.3
GHS65-200GB	60	16.7	50	2900	13.18	22	62	3.0	80	65	70	
	100	27.8	45.5		16.41	22	75.5					3.6
	120	33.3	42		18.30	22	75					4.4
GHS65-260	72	20.0	98	2900	29.79	55	64.5	3.3	80	65	81	
	120	33.3	90		42.29	55	73					4.5
	144	40.0	83		44.59	55	73					5.4
GHS65-260A	69.5	19.3	92	2900	26.79	45	65	3.25	80	65	81	
	116	32.2	86		38.81	45	70					4.4
	139	38.6	79		41.53	45	72					4.95
GHS65-260B	67	18.6	82.5	2900	23.89	45	63	3.2	80	65	81	
	111.5	31.0	76		32.50	45	71					4.25
	133.5	37.1	71		36.88	45	70					4.95
GHS65-320H	81	22.5	147	2900	60.05	110	54	3.8	80	65	110	
	135	37.5	131		76.45	110	63					4.4
	162	45.0	115		84.56	110	60					5.5
GHS65-320HA	81	22.5	120	2900	48.13	90	55	3.7	80	65	110	
	135	37.5	108		64.04	90	62					4.3
	162	45.0	97		73.78	90	58					5.2
GHS65-320HB	81	22.5	107	2900	40.00	75	59	3.5	80	65	110	
	135	37.5	94		56.65	75	61					4.3
	162	45.0	83		67.81	75	54					4.8
GHS80-160	100	27.8	39.5	2900	15.15	30	71	3.3	100	80	54	
	162	45.0	35		19.80	30	78					4.0
	195	54.2	31		21.95	30	75					5.0
GHS80-160A	95	26.4	33	2900	13.13	22	65	3.3	100	80	54	
	153.5	42.6	28		16.26	22	72					3.85
	185	51.4	24		17.78	22	68					4.6
GHS80-160B	89	24.7	29.5	2900	11.17	18.5	64	3.25	100	80	54	
	144.5	40.1	25		13.29	18.5	74					3.7
	174	48.3	21		14.22	18.5	70					4.3
GHS80-200	115	31.9	60	2900	26.84	45	70	4.0	100	80	70	
	190	52.8	55		36.49	45	78					5.1
	225	62.5	50		41.12	45	74.5					6.2
GHS80-200A	110	30.6	57	2900	25.11	37	68	4.0	100	80	70	
	182	50.6	53.5		34.44	37	77					4.9
	215.5	59.9	44.5		37.31	37	70					5.85
GHS80-200B	105	29.2	49.5	2900	20.82	37	68	4.0	100	80	70	
	173	48.1	45		27.90	37	76					4.7
	205	56.9	40		31.90	37	70					5.5
GHS80-260	115	31.9	97	2900	46.74	75	65	4.0	100	80	91	
	190	52.8	88		60.71	75	75					5.4
	225	62.5	81		67.53	75	73.5					6.5
GHS80-260A	111	30.8	91.5	2900	43.90	75	63	3.95	100	80	91	
	183.5	51.0	81.5		54.30	75	75					5.2
	217.5	60.4	73		59.23	75	73					6.25
GHS80-260B	106.5	29.6	79	2900	37.56	75	61	3.9	100	80	91	
	176.5	49.0	68.5		45.10	75	73					5
	209	58.1	60		48.10	75	71					6
GHS80-320H	126	35.0	146	2900	78.28	132	64	5.6	100	80	120	
	210	58.3	134		103.56	132	74					6.3
	252	70.0	121		113.75	132	73					7
GHS80-320HA	117	32.5	125	2900	64.24	110	62	6.1	100	80	120	
	195	54.2	114		82.93	110	73					6.3
	234	65.0	103		91.16	110	72					6.9
GHS80-320HB	108	30.0	104	2900	47.79	90	64	5	100	80	120	
	180	50.0	95		63.79	90	73					5.8
	216	60.0	85		71.43	90	70					6.3

性能参数 Performance parameters

(2P/4P)

泵型号 Pump model	流量 Capacity		扬程 Head h (m)	转速 Speed n (r/min)	功率 Power		效率 Eff. η (%)	必需汽 蚀余量 NPSHr (m)	泵口径 Pump diameter (mm)		泵重量 Weight (kg)
	m ³ /h	l/s			轴功率 Shaft power (kW)	电机 Motor (kW)			吸入 Suction	排出 Discharge	
GHS100-200	180	50.0	61	2900	41.53	75	72	4.0	125	100	85
	295	81.9	51.5		52.37	75	79	5.3			
	340	94.4	42		52.55	75	74	6.3			
GHS100-200A	172.5	47.9	51	2900	34.72	55	69	3.95	125	100	85
	273	75.8	42		42.20	55	74	4.9			
	325.5	90.4	36		46.25	55	69	5.95			
GHS100-200B	164	45.6	46	2900	30.21	45	68	3.9	125	100	85
	260	72.2	35		35.40	45	70	4.8			
	310	86.1	31		39.06	45	67	5.6			
GHS100-260H	190	52.8	97	2900	70.69	110	71	3.8	125	100	106
	295	81.9	86		90.91	110	76	5.2			
	350	97.2	80		103.04	110	74	6.5			
GHS100-260HA	183.5	51.0	85.5	2900	61.92	110	69	3.75	125	100	106
	285	79.2	75		78.66	110	74	5			
	338	93.9	66		85.57	110	71	6.2			
GHS100-260HB	177	49.2	76	2900	54.68	90	67	3.7	125	100	106
	274	76.1	66		68.4	90	72	4.8			
	325	90.3	58		75.49	90	68	5.9			
GHS125-200	237.6	66.0	57.5	2900	57.68	90	64.5	7	150	125	106
	360	100.0	50.5		66.46	90	74.5	7.2			
	475.2	132.0	40		76.12	90	68	7.8			
GHS32-130	4.5	1.3	6.2	1450	0.22	0.55	35	1.8	50	32	27.5
	7.5	2.1	5.6		0.25	0.55	46	2.0			
	9	2.5	5.2		0.26	0.55	49	2.3			
GHS32-160	6	1.7	9.7	1450	0.38	0.55	42	0.7	50	32	35
	9	2.5	9		0.46	0.55	48	1.0			
	11	3.1	8		0.48	0.55	49.5	1.4			
GHS32-200	6	1.7	16.3	1450	0.67	1.1	40	1.8	50	32	41
	9	2.5	15.4		0.79	1.1	48	2.0			
	11	3.1	14.5		0.85	1.1	51	2.3			
GHS32-260	7.2	2.0	25	1450	1.63	3	30	1.8	50	32	59
	12	3.3	23.5		1.94	3	39.5	2.0			
	14.4	4.0	22		2.05	3	42	2.3			
GHS40-130	10.8	3.0	6.55	1450	0.34	0.55	57	1.8	65	40	30
	18	5.0	5.8		0.42	0.55	67	2.0			
	21.6	6.0	5.4		0.47	0.55	67	2.4			
GHS40-160	10.8	3.0	10.2	1450	0.55	1.1	55	1.8	65	40	36
	18	5.0	8.8		0.70	1.1	62	2.0			
	21.6	6.0	7.8		0.76	1.1	60	2.4			
GHS40-200	10.8	3.0	16.2	1450	0.95	1.5	50	1.8	65	40	44
	18	5.0	14		1.23	1.5	56	2.0			
	21.6	6.0	12.4		1.33	1.5	55	2.4			
GHS40-260	12.6	3.5	24.4	1450	1.99	3	42	1.8	65	40	61
	21	5.8	22		2.42	3	52	2.0			
	25.2	7.0	20		2.61	3	52.5	2.4			
GHS40-320	9	2.5	38	1450	3.10	5.5	30	3.1	65	40	95.8
	14.4	4.0	37.5		3.50	5.5	42	2.1			
	18	5.0	37		4.03	5.5	45	3.8			
GHS40-320A	10.5	2.9	34.5	1450	3.23	5.5	30.5	3.3	65	40	95.8
	17	4.7	32		3.85	5.5	38.5	2			
	20.5	5.7	29		4.32	5.5	37.5	2.9			
GHS40-320B	10	2.8	31	1450	2.91	5.5	29	3.6	65	40	95.8
	16.5	4.6	29		3.52	5.5	37	2			
	20	5.6	26		3.93	5.5	36	2.7			
GHS50-130	18	5.0	6.6	1450	0.54	1.1	60	2.2	65	50	34
	30	8.3	6.3		0.68	1.1	75.5	2.4			
	36	10.0	5.7		0.76	1.1	74	2.8			
GHS50-160	20	5.6	10.4	1450	0.89	1.5	64	2.3	65	50	38
	32	8.9	9.8		1.15	1.5	74.3	2.4			
	38	10.6	9.4		1.31	1.5	74.5	3.0			
GHS50-200	18	5.0	16	1450	1.35	2.2	58	2.2	65	50	46
	30	8.3	14		1.79	2.2	64	2.3			
	36	10.0	13.5		2.04	2.2	65	2.9			
GHS50-260	20	5.6	25	1450	2.59	5.5	52.5	2.3	65	50	63
	32	8.9	24		3.24	5.5	64.5	2.4			
	38	10.6	23		3.58	5.5	66.5	3.0			
GHS50-320	32.4	9.0	37	1450	5.78	11	56.5	2.0	65	50	101
	54	15.0	30.5		7.80	11	57.5	2.5			
	64.8	18.0	23.5		8.73	11	47.5	3.2			



性能参数 Performance parameters

(4P)

泵型号 Pump model	流量 Capacity		扬程 Head h (m)	转速 Speed n (r/min)	功率 Power		效率 Eff. η (%)	必需汽 蚀余量 NPSHr (m)	泵口径 Pump diameter (mm)		泵重量 Weight (kg)
	m ³ /h	l/s			轴功率 Shaft power (kW)	电机 Motor (kW)			吸入 Suction	排出 Discharge	
GHS50-320A	23	6.4	33.5	1450	4.20	7.5	50	2.0	65	50	101
	38.5	10.7	31.3		5.29	7.5	62	2.4			
	46	12.8	30		5.97	7.5	63	3.0			
GHS50-320B	22	6.1	29.8	1450	3.57	7.5	50	2.0	65	50	101
	36.5	10.1	28.5		4.64	7.5	61	2.3			
	44	12.2	27		5.22	7.5	62	2.8			
GHS65-130	21.6	6.0	6.7	1450	0.79	1.5	50	2.2	80	65	39
	36	10.0	6.4		0.95	1.5	66	2.4			
	43.2	12.0	6		1.02	1.5	69	2.8			
GHS65-160	32.4	9.0	10	1450	1.38	2.2	64	2.0	80	65	43
	54	15.0	9.2		1.73	2.2	78	2.2			
	64.8	18.0	8.4		1.82	2.2	81.5	2.5			
GHS65-200	35	9.7	16.4	1450	2.37	4	66	1.9	80	65	52
	55	15.3	15		2.94	4	76.5	2.0			
	66	18.3	13.8		3.20	4	77.5	2.3			
GHS65-260	43.2	12.0	25.3	1450	4.48	7.5	66.5	2.0	80	65	81
	72	20.0	21.5		5.74	7.5	73.5	2.3			
	86.4	24.0	18.7		6.47	7.5	68	3.0			
GHS65-320	43.2	12.0	37.4	1450	7.46	15	59	1.9	80	65	110
	72	20.0	33		9.66	15	67	2.0			
	86.4	24.0	29		10.50	15	65	2.5			
GHS65-320A	37	10.3	34.5	1450	6.32	11	55	1.9	80	65	110
	62	17.2	32		8.31	11	65	2.0			
	74.5	20.7	28		9.16	11	62	2.3			
GHS65-320B	34	9.4	30.5	1450	6.01	11	47	2.0	80	65	110
	56.5	15.7	28		7.30	11	59	2.0			
	68	18.9	25.8		8.10	11	59	2.1			
GHS80-160	50	13.9	10.6	1450	2.31	4	62.5	2.1	100	80	54
	80	22.2	10		2.87	4	76	2.5			
	96	26.7	9.3		3.16	4	77	3.2			
GHS80-200	63	17.5	15.7	1450	3.59	7.5	75	2.1	100	80	70
	105.12	29.2	14		4.89	7.5	82	2.5			
	126	35.0	12.8		5.63	7.5	78	3.2			
GHS80-260	63	17.5	24	1450	5.88	11	70	2.1	100	80	91
	105.12	29.2	21		7.91	11	76	2.5			
	126	35.0	18.5		8.82	11	72	3.2			
GHS80-320	60	16.7	36	1450	9.41	18.5	62.5	1.9	100	80	120
	100	27.8	33		12.66	18.5	71	2.0			
	120	33.3	30		14.11	18.5	69.5	2.6			
GHS80-320A	57.5	16.0	34	1450	9.18	15	58	1.9	100	80	120
	95.5	26.5	29.7		11.19	15	69	2.0			
	114.5	31.8	26		11.92	15	68	2.3			
GHS80-320B	54.5	15.1	30.4	1450	8.06	15	56	1.9	100	80	120
	91	25.3	27.3		10.10	15	67	2.0			
	109	30.0	25		11.24	15	66	2.2			
GHS80-400	60	16.7	59	1450	17.37	30	55.5	2.2	100	80	161
	100	27.8	55.5		23.08	30	65.5	2.5			
	120	33.3	52.5		25.80	30	66.5	3.4			
GHS80-400A	59	16.4	55	1450	16.07	30	55	2.2	100	80	161
	96.5	26.8	52.5		21.56	30	64	2.4			
	116	32.2	49		24.57	30	63	3.2			
GHS80-400B	56	15.6	51	1450	14.40	30	54	2.2	100	80	161
	93	25.8	49		18.80	30	66	2.4			
	111.5	31.0	47		20.99	30	68	3.0			
GHS100-200	90	25.0	15	1450	4.60	11	80	2.2	125	100	85
	142	39.4	12.7		5.99	11	82	2.5			
	170	47.2	10.5		6.52	11	74.5	3.4			
GHS100-260	99	27.5	24	1450	8.51	15	76	2.3	125	100	115
	165	45.8	21		11.58	15	81.5	2.6			
	198	55.0	19		13.66	15	75	3.5			
GHS100-320	81	22.5	39	1450	11.95	22	72	2.0	125	100	134
	135	37.5	33.7		15.49	22	80	2.0			
	162	45.0	30		17.30	22	76.5	2.3			
GHS100-320A	77.5	21.5	34	1450	10.25	22	70	2.0	125	100	134
	130	36.1	29.5		13.74	22	76	2.0			
	155	43.1	26.5		15.32	22	73	2.2			
GHS100-320B	73.5	20.4	30	1450	8.96	18.5	67	2.0	125	100	134
	123	34.2	27		11.90	18.5	76	2.0			
	147.5	41.0	23		13.01	18.5	71	2.1			

性能参数 Performance parameters

(4P)

泵型号 Pump model	流量 Capacity		扬程 Head h (m)	转速 Speed n (r/min)	功率 Power		效率 Eff. η (%)	必需汽 蚀余量 NPSHr (m)	泵口径 Pump diameter (mm)		泵重量 Weight (kg)
	m ³ /h	l/s			轴功率 Shaft power (kW)	电机 Motor (kW)			吸入 Suction	排出 Discharge	
GHS100-400	90	25.0	58.8	1450	23.82	45	60.5	1.7	125	100	174
	150	41.7	51		30.86	45	67.5	2.0			
	180	50.0	44		33.44	45	64.5	2.7			
GHS100-400A	87	24.2	54	1450	22.85	37	56	1.7	125	100	174
	145	40.3	48.2		28.84	37	66	2.0			
	174	48.3	42		29.97	37	66.4	2.5			
GHS100-400B	84	23.3	49.5	1450	20.97	37	54	1.7	125	100	174
	139.5	38.8	45.2		26.83	37	64	1.9			
	167.5	46.5	41.2		29.36	37	64	2.4			
GHS125-200	115	31.9	15.2	1450	7.68	11	62	2.6	150	125	106
	190	52.8	13		8.74	11	77	3.5			
	230	63.9	11.5		9.42	11	76.5	3.0			
GHS125-260	144	40.0	24.2	1450	12.82	22	74	2.3	150	125	106
	240	66.7	21.2		17.11	22	81	2.5			
	288	80.0	17		18.52	22	72	3.2			
GHS125-260A	139	38.6	21.3	1450	11.86	22	68	2.3	150	125	106
	232	64.4	18.2		14.56	22	79	2.5			
	278.5	77.4	15.4		15.57	22	75	3.0			
GHS125-260B	134	37.2	19.7	1450	9.71	18.5	74	2.3	150	125	106
	223	61.9	16		12.79	18.5	76	2.4			
	267.5	74.3	13.4		14.36	18.5	68	2.8			
GHS125-320	120	33.3	35	1450	16.95	30	67.5	2.1	150	125	163
	200	55.6	32.5		22.41	30	79	2.0			
	240	66.7	30		25.14	30	78	2.7			
GHS125-320A	115	31.9	32.8	1450	15.11	30	68	2.15	150	125	163
	191	53.1	29.5		19.93	30	77	1.95			
	229	63.6	27.5		22.87	30	75	2.4			
GHS125-320B	109	30.3	28.9	1450	11.83	22	72.5	2.2	150	125	163
	182	50.6	25.2		16.43	22	76	2.0			
	218.5	60.7	12.9		10.37	22	74	2.2			
GHS125-400	144	40.0	59.5	1450	30.30	75	77	2.2	150	125	101
	245	68.1	52		45.35	75	76.5	2.4			
	300	83.3	45		52.15	75	70.5	3.0			
GHS125-400A	139	38.6	53.5	1450	31.40	55	64.5	2.2	150	125	181
	236.5	65.7	46		40.04	55	74	2.4			
	289	80.3	38.5		45.23	55	67	3.0			
GHS125-400B	133.5	37.1	51.2	1450	29.08	55	64	2.2	150	125	181
	227.5	63.2	40		35.15	55	70.5	2.3			
	278.5	77.4	32.5		40.41	55	61	2.8			
GHS125-500	150	41.7	83.5	1450	54.14	110	63	2.3	150	125	390
	250	69.4	78		75.86	110	70	2.5			
	300	83.3	72		90.50	110	65	2.6			
GHS125-500A	135	37.5	78.5	1450	48.10	75	60	1.8	150	125	390
	225	62.5	75		62.10	75	74	2.1			
	270	75.0	71		68.69	75	76	2.5			
GHS125-500B	120	33.3	75	1450	45.39	75	54	1.6	150	125	390
	200	55.6	72		58.53	75	67	2.0			
	240	66.7	69		64.43	75	70	2.4			
GHS125-500C	90	25.0	67	1450	32.84	55	50	1.6	150	125	309
	150	41.7	65.5		41.81	55	64	2.0			
	180	50.0	62		45.36	55	67	2.4			
GHS150-200	216	60.0	14.4	1450	12.10	18.5	70	3.0	200	150	156
	360	100.0	12.2		14.95	18.5	80	3.5			
	424.8	118.0	10.3		15.47	18.5	77	4.0			
GHS150-200A	172.8	48.0	13.4	1450	9.27	15	68	3.1	200	150	156
	288	80.0	12		12.07	15	78	3.8			
	345.6	96.0	10.5		13.00	15	76	4.2			
GHS150-260	194	53.9	23.5	1450	16.55	30	75	2.7	200	150	148
	324	90.0	20.5		22.06	30	82	3.0			
	414	115.0	16		26.53	30	68	3.3			
GHS150-260A	180	50.0	21.2	1450	14.43	30	72	2.6	200	150	148
	300	83.3	19		19.53	30	79.5	2.9			
	388.8	108.0	14.5		22.58	30	68	3.3			
GHS150-260B	162	45.0	19	1450	11.33	22	74	2.6	200	150	148
	270	75.0	16.5		15.36	22	79	2.8			
	342	95.0	12.5		17.12	22	68	3.2			
GHS150-320	230	63.9	36.5	1450	30.89	55	74	2.8	200	150	170
	370	102.8	33		41.05	55	81	3.2			
	445	123.6	28.5		46.05	55	75	3.6			



性能参数 Performance parameters

(4P)

泵型号 Pump model	流量 Capacity		扬程 Head h (m)	转速 Speed n (r/min)	功率 Power		效率 Eff. η (%)	必需汽 蚀余量 NPSHr (m)	泵口径 Pump diameter (mm)		泵重量 Weight (kg)
	m ³ /h	l/s			轴功率 Shaft power (kW)	电机 Motor (kW)			吸入 Suction	排出 Discharge	
GHS150-320A	220	61.1	33.4	1450	27.79	45	72	2.8	200	150	170
	354	98.3	29.3		35.76	45	79	3.1			
	426	118.3	25		39.19	45	74	3.5			
GHS150-320B	209.5	58.2	30	1450	24.11	37	71	2.8	200	150	170
	337.5	93.8	26		31.04	37	77	3			
	405.5	112.6	21.9		33.13	37	73	3.3			
GHS150-400	240	66.7	58	1450	50.54	90	75	2.8	200	150	209
	385	106.9	53.5		66.78	90	84	3.2			
	460	127.8	49		73.96	90	83	3.6			
GHS150-400A	232	64.4	52	1450	45.63	75	72	2.8	200	150	209
	372	103.3	47.5		61.69	75	78	3.2			
	444	123.3	42.5		66.74	75	77	3.6			
GHS150-400B	223	61.9	48	1450	41.64	75	70	2.8	200	150	209
	357.5	99.3	43.5		55.72	75	76	3.1			
	427.5	118.8	39		61.36	75	74	3.5			
GHS150-500	300	83.3	86.5	1450	89.5	160	79	3.1	200	150	410
	500	138.9	77.5		125.6	160	84	3.5			
	600	166.7	69		139.2	160	81	3.8			
GHS150-500A	270	75	79.5	1450	79.0	132	74	3.0	200	150	410
	450	125.0	72		110.3	132	80	3.4			
	540	150.0	63		120.3	132	77	3.6			
GHS150-500B	240	66.7	75.5	1450	71.5	132	69	2.8	200	150	410
	400	111.1	70		96.5	132	79	3.2			
	480	133.3	65		108.9	132	78	3.5			
GHS150-500C	210	58.3	68	1450	58.0	110	67	2.6	200	150	410
	350	97.2	63		78.0	110	77	3.0			
	420	116.7	60.5		91.1	110	76	3.3			
GHS200-260	259.2	72.0	19.5	1450	18.86	30	73	3.0	250	200	256
	432	120.0	15.2		21.81	30	82	3.2			
	518.4	144.0	12		22.89	30	74	3.3			
GHS200-260A	248.4	69.0	18	1450	16.91	22	72	2.9	250	200	256
	414	115.0	14		19.49	22	81	3.1			
	496.8	138.0	10.5		19.73	22	72	3.2			
GHS200-260B	237.6	66.0	15	1450	13.87	18.5	70	2.8	250	200	256
	396	110.0	12		16.18	18.5	80	3.0			
	475.2	132.0	9.7		17.93	18.5	70	3.1			
GHS200-320	345	95.8	35	1450	45.36	75	72.5	3.2	250	200	310
	575	159.7	30		56.26	75	83.5	3.3			
	690	191.7	25.5		60.27	75	79.5	3.4			
GHS200-320A	324	90.0	30	1450	37.28	55	71	3.1	250	200	310
	540	150.0	25.5		45.18	55	83	3.2			
	648	180.0	21		47.51	55	78	3.3			
GHS200-320B	302.4	84.0	26.5	1450	32.33	45	67.5	3.0	250	200	310
	504	140.0	22		36.82	45	82	3.1			
	604.8	168.0	18.3		38.89	45	77.5	3.2			
GHS200-400	390	108.3	59.5	1450	85.40	132	74	3.0	250	200	345
	650	180.6	53.5		112.74	132	84	3.8			
	780	216.7	48.5		125.64	132	82	4.5			
GHS200-400A	360	100.0	52.5	1450	73.53	110	70	2.9	250	200	345
	600	166.7	46.5		93.80	110	81	3.6			
	720	200.0	41.5		101.72	110	80	4.4			
GHS200-400B	330	91.7	41.5	1450	54.05	90	69	2.8	250	200	345
	550	152.8	36		66.57	90	81	3.5			
	660	183.3	31		71.43	90	78	4.2			
GHS200-500	330	91.7	90	1450	118.94	250	68	3.2	250	200	510
	550	152.8	87		160.88	250	81	4.0			
	660	183.3	84.5		189.85	250	80	4.8			
GHS200-500A	300	83.3	82.5	1450	97.68	200	69	3.0	250	200	510
	500	138.9	80		132.04	200	82.5	3.8			
	600	166.7	77.5		150.75	200	84	4.5			
GHS200-500B	270	75.0	73	1450	85.20	160	63	2.8	250	200	510
	450	125.0	71.5		112.34	160	78	3.6			
	540	150.0	69		126.84	160	80	4.2			
GHS250-320	522	145.0	32	1450	65.93	90	69	3.0	300	250	375
	870	241.7	27.5		78.03	90	83.5	4.8			
	1044	290.0	24		83.21	90	82	6.5			
GHS250-320A	480	133.3	29.5	1450	61.21	90	63	2.8	300	250	375
	800	222.2	25.5		67.75	90	82	4.5			
	960	266.7	22.5		70.45	90	83.5	6.2			

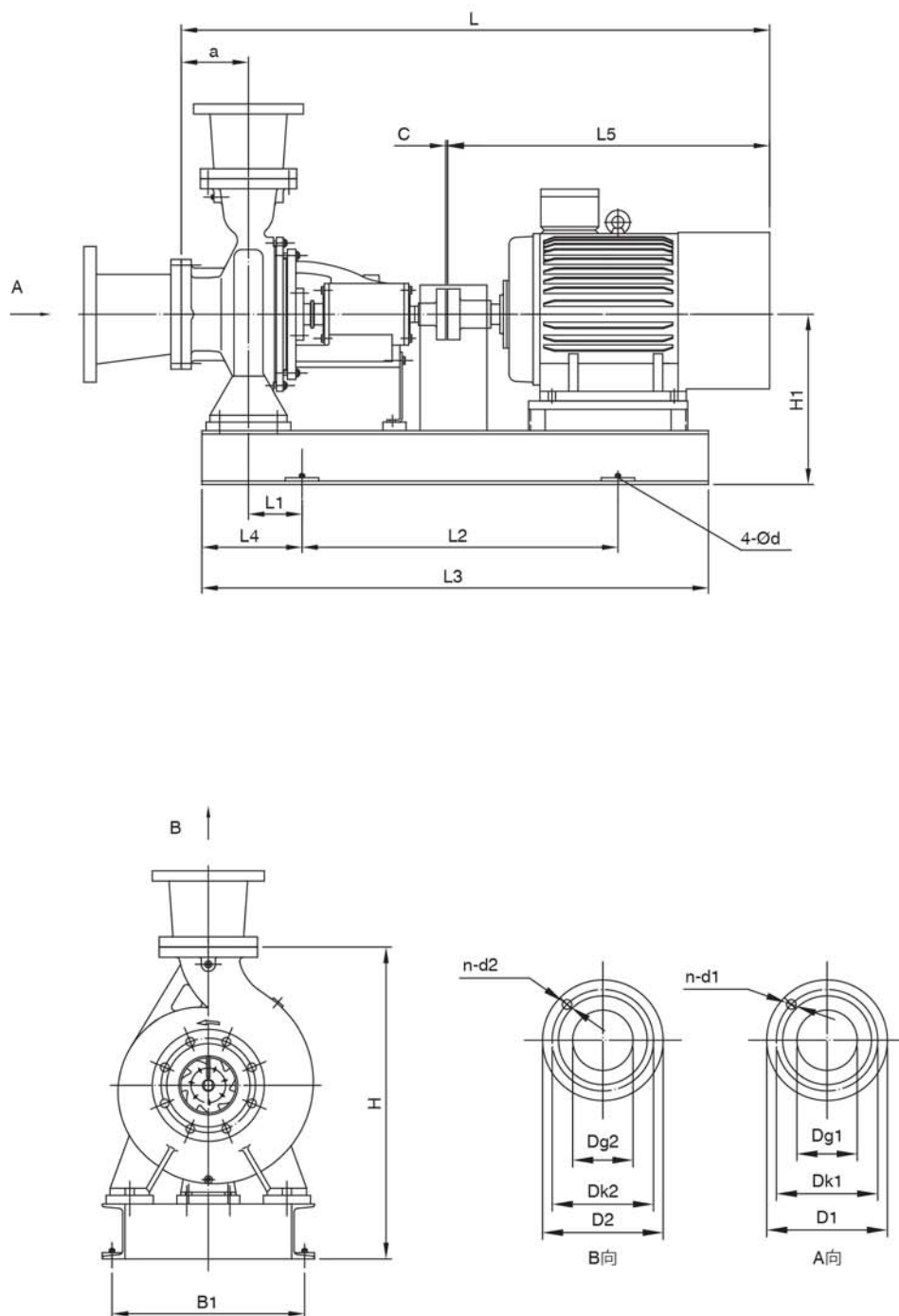
性能参数 Performance parameters

(4P)

泵型号 Pump model	流量 Capacity		扬程 Head h (m)	转速 Speed n (r/min)	功率 Power		效率 Eff. η (%)	必需汽 蚀余量 NPSHr (m)	泵口径 Pump diameter (mm)		泵重量 Weight (kg)
	m ³ /h	l/s			轴功率 Shaft power (kW)	电机 Motor (kW)			吸入 Suction	排出 Discharge	
GHS250-320B	450	125.0	28	1450	55.34	75	62	2.5	300	250	375
	750	208.3	24.5		61.78	75	81	4.2			
	900	250.0	22		65.76	75	82	6.0			
GHS250-320C	432	120.0	23.5	1450	45.32	75	61	2.4	300	250	375
	720	200.0	20		49.02	75	80	4.0			
	864	240.0	17.5		54.18	75	76	5.8			
GHS250-400	550	152.8	56.5	1450	112.09	200	75.5	3.0	300	250	455
	760	211.1	54		131.49	200	85	3.5			
	950	263.9	48.5		151.18	200	83	4.5			
GHS250-400A	360	100.0	45	1450	71.16	110	62	2.6	300	250	455
	600	166.7	43		87.83	110	80	3.2			
	720	200.0	40.5		95.68	110	83	4.2			
GHS250-400B	300	83.3	35	1450	51.52	75	55.5	2.3	300	250	455
	500	138.9	33		59.91	75	75	3.0			
	600	166.7	31		64.12	75	79	4.0			
GHS250-500	534	148.3	85.5	1450	177.63	315	70	3.0	300	250	630
	890	247.2	80		236.46	315	82	5.0			
	1068	296.7	74		265.71	315	81	7.0			
GHS250-500A	480	133.3	76	1450	148.28	250	67	2.8	300	250	630
	800	222.2	70.5		191.99	250	80	4.6			
	960	266.7	65.5		214.05	250	80	6.7			
GHS250-500B	450	125.0	68	1450	128.21	200	65	2.6	300	250	630
	750	208.3	63		163.92	200	78.5	4.4			
	900	250.0	58.4		181.19	200	79	6.5			
GHS300-320	720	200	39	1450	112	160	70	4.5	350	300	400
	1200	333	32		124	160	85	5.0			
	1440	400	30		147	160	86.5	5.5			
GHS300-320A	691	192	35	1450	98	132	64	4.2	350	300	400
	1152	320	29		113	132	80	5.0			
	1382	384	27.5		126	132	81	5.5			
GHS300-320B	626	174	33.5	1450	85	110	55	4.4	350	300	400
	1044	290	27.5		97.8	110	74	5.3			
	1253	348	24		104	110	78	5.7			
GHS300-400	831.6	231.0	52	1450	168.24	250	70	5.0	350	300	700
	1386	385.0	46.5		204.09	250	86	7.0			
	1663.2	462.0	42		217.41	250	87.5	8.0			
GHS300-400A	720	200.0	45	1450	135.75	200	65	4.8	350	300	700
	1200	333.3	40.5		163.40	200	81	6.5			
	1440	400.0	37		176.95	200	82	7.5			
GHS300-400B	594	165.0	38.5	1450	114.27	160	54.5	4.5	350	300	700
	990	275.0	35		127.52	160	74	6.0			
	1188	330.0	32.5		133.10	160	79	7.0			



整机外形尺寸 Outline dimensions



外形及安装尺寸表 Installation dimensions

本表仅适用于配钢制底座
This chart is apply to the pump with steel base.

泵型号 Pump model	配套电机 Motor		泵安装尺寸 Installation size of pump													吸入锥管 Suction pipe				吐出锥管 Discharge pipe				总重量 Total weight (kg)
	机座号 Base number	功率 (kW)	a	L	L1	L2	L3	L4	L5	B1	H1	H	c	b	d	Dg1	Dk1	D1	n1-d1	Dg2	Dk2	D2	n2-d2	
GHS150-260	Y200L-4	30	160	1473	120	800	1258	240	780	440	392	747	3	16	Ø24	Ø250	Ø355	Ø405	12-Ø26	Ø200	Ø295	Ø340	12-Ø22	495
	Y180L-4	22	160	1418	119	750	1223	239	725	440	396	751	3	16	Ø24	Ø250	Ø355	Ø405	12-Ø26	Ø200	Ø295	Ø340	12-Ø22	444
GHS150-320	Y250M-4	55	160	1619	150	870	1385	270	920	540	440	840	3	16	Ø28	Ø250	Ø355	Ø405	12-Ø26	Ø200	Ø295	Ø340	12-Ø22	696
	Y225M-4	45	160	1539	140	820	1320	260	840	540	436	836	3	16	Ø28	Ø250	Ø355	Ø405	12-Ø26	Ø200	Ø295	Ø340	12-Ø22	626
GHS150-400	Y225S-4	37	160	1514	130	820	1290	250	815	540	436	836	3	16	Ø28	Ø250	Ø355	Ø405	12-Ø26	Ø200	Ø295	Ø340	12-Ø22	591
	Y280M-4	90	160	1709	190	910	1510	310	1015	550	475	925	4	16	Ø28	Ø250	Ø355	Ø405	12-Ø26	Ø200	Ø295	Ø340	12-Ø22	942
GHS150-500	Y280S-4	75	160	1659	190	910	1454	310	965	550	475	925	4	16	Ø28	Ø250	Ø355	Ø405	12-Ø26	Ø200	Ø295	Ø340	12-Ø22	927
	Y315L1-4	160	180	2169	230	1100	1800	350	1315	625	560	1060	4	16	Ø28	Ø250	Ø355	Ø405	12-Ø26	Ø200	Ø295	Ø340	12-Ø22	1846
GHS200-260	Y315M1-4	132	180	2094	220	1000	1760	340	1240	625	560	1060	4	16	Ø28	Ø250	Ø355	Ø405	12-Ø26	Ø200	Ø295	Ø340	12-Ø22	1638
	Y315S-4	110	180	2069	160	1150	1724	280	1215	625	555	1055	4	16	Ø28	Ø250	Ø355	Ø405	12-Ø26	Ø200	Ø295	Ø340	12-Ø22	1544
GHS200-320	Y200L-4	30	180	1509	110	800	1275	230	780	550	396	796	3	16	Ø28	Ø300	Ø410	Ø460	12-Ø26	Ø300	Ø410	Ø460	12-Ø26	566
	Y180L-4	22	180	1454	110	800	1239	230	725	550	396	796	3	16	Ø28	Ø300	Ø410	Ø460	12-Ø26	Ø300	Ø410	Ø460	12-Ø26	524
GHS200-400	Y180M-4	18.5	180	1423	110	750	1199.5	230	690	550	396	796	3	16	Ø28	Ø300	Ø410	Ø460	12-Ø26	Ø300	Ø410	Ø460	12-Ø26	508
	Y280S-4	75	200	1839	190	910	1578	310	965	540	540	990	4	16	Ø28	Ø300	Ø410	Ø460	12-Ø26	Ø300	Ø410	Ø460	12-Ø26	952
GHS200-500	Y250M-4	55	200	1794	130	900	1525	250	920	540	540	990	4	16	Ø28	Ø300	Ø410	Ø460	12-Ø26	Ø300	Ø410	Ø460	12-Ø26	802
	Y225M-4	45	200	1714	130	900	1461	250	840	540	520	970	4	16	Ø28	Ø300	Ø410	Ø460	12-Ø26	Ø300	Ø410	Ø460	12-Ø26	733
GHS200-500	Y315M-4	132	200	2114	240	1000	1770	360	1240	625	540	1040	4	16	Ø28	Ø300	Ø410	Ø460	12-Ø26	Ø300	Ø410	Ø460	12-Ø26	1563
	Y315S-4	110	200	2089	160	1100	1720	280	1215	625	535	1035	4	16	Ø28	Ø300	Ø410	Ø460	12-Ø26	Ø300	Ø410	Ø460	12-Ø26	1469
GHS200-500	Y280M-4	90	200	1889	160	1000	1655	280	1015	540	535	1035	4	16	Ø28	Ø300	Ø410	Ø460	12-Ø26	Ø300	Ø410	Ø460	12-Ø26	1096
	Y355M-4	250	210	2453	230	1100	1923	400	1565	725	625	1125	4	16	Ø28	Ø300	Ø410	Ø460	12-Ø26	Ø300	Ø410	Ø460	12-Ø26	2587
GHS250-320	Y315L2-4	200	210	2204	210	1100	1850	380	1315	710	585	1085	4	16	Ø28	Ø300	Ø410	Ø460	12-Ø26	Ø300	Ø410	Ø460	12-Ø26	1962
	Y315L1-4	160	210	2204	210	1100	1850	380	1315	710	585	1085	4	16	Ø28	Ø300	Ø410	Ø460	12-Ø26	Ø300	Ø410	Ø460	12-Ø26	1833
GHS250-400	Y280M-4	90	200	1889	190	910	1680	335	1015	595	540	1065	4	16	Ø28	Ø350	Ø470	Ø520	16-Ø26	Ø350	Ø470	Ø520	16-Ø26	1131
	Y280S-4	75	200	1839	190	900	1629	335	965	595	540	1065	4	16	Ø28	Ø350	Ø470	Ø520	16-Ø26	Ø350	Ø470	Ø520	16-Ø26	1027
GHS250-500	Y315L2-4	200	250	2239	210	1100	1850	380	1315	710	585	1085	4	16	Ø28	Ø350	Ø470	Ø520	16-Ø26	Ø350	Ø470	Ø520	16-Ø26	1799
	Y315S-4	110	250	2139	130	1100	1740	300	1215	705	585	1085	4	16	Ø28	Ø350	Ø470	Ø520	16-Ø26	Ø350	Ø470	Ø520	16-Ø26	1498
GHS250-500	Y280S-4	75	250	1889	130	1000	1645	300	965	705	585	1085	4	16	Ø28	Ø350	Ø470	Ø520	16-Ø26	Ø350	Ø470	Ø520	16-Ø26	1021
	Y355L2-4	315	240	2683	230	1100	2123	400	1565	725	650	1195	4	16	Ø28	Ø350	Ø470	Ø520	16-Ø26	Ø350	Ø470	Ø520	16-Ø26	2877
GHS300-320	Y355M-4	250	240	2683	230	1100	2123	400	1565	725	650	1195	4	16	Ø28	Ø350	Ø470	Ø520	16-Ø26	Ø350	Ø470	Ø520	16-Ø26	2726
	Y315L1-4	160	260	2454	210	1100	2055	380	1315	720	605	1165	4	16	Ø28	Ø400	Ø525	Ø580	16-Ø30	Ø400	Ø525	Ø580	16-Ø30	1440
GHS300-400	Y315M1-4	132	260	2379	210	1100	2020	380	1240	720	605	1165	4	16	Ø28	Ø400	Ø525	Ø580	16-Ø30	Ø400	Ø525	Ø580	16-Ø30	1615
	Y315S-4	110	260	2354	210	1100	1969	380	1215	720	605	1165	4	16	Ø28	Ø400	Ø525	Ø580	16-Ø30	Ø400	Ø525	Ø580	16-Ø30	1775
GHS300-400	Y355M-4	250	280	2579	260	1300	2168	430	1420	785	705	1305	4	16	Ø28	Ø400	Ø525	Ø580	16-Ø30	Ø400	Ø525	Ø580	16-Ø30	2807
	Y315L2-4	200	280	2474	257.5	1250	2055	427.5	1315	785	705	1305	4	16	Ø28	Ø400	Ø525	Ø580	16-Ø30	Ø400	Ø525	Ø580	16-Ø30	2182
	Y315L1-4	160	280	2474	257.5	1250	2055	427.5	1315	785	705	1305	4	16	Ø28	Ø400	Ø525	Ø580	16-Ø30	Ø400	Ø525	Ø580	16-Ø30	2053

注: 1、电机为标配Y₂系列。
The above motor size is of pump with standard configuration motor Y₂ series.
2、出厂标准配置不含吸入、吐出锥管。
The suction and discharge pipe is not in the ex-factory standard layout.





銘昇電機股份有限公司

MING SHENG ELECTRIC MACHINE CO., LTD

彰化縣社頭鄉中山路一段229巷1號

TEL:886-4-872 4933

FAX:886-4-872 4935

<http://www.ms-pumtech.com.tw>

江蘇省昆山市開發區青陽寶島花園二期

131棟101室

TEL:86-512-577 21989

FAX:86-512-577 21969

製造銷售：沉水泵、工業用泵、氣動隔膜泵、油泵、馬達、減速機